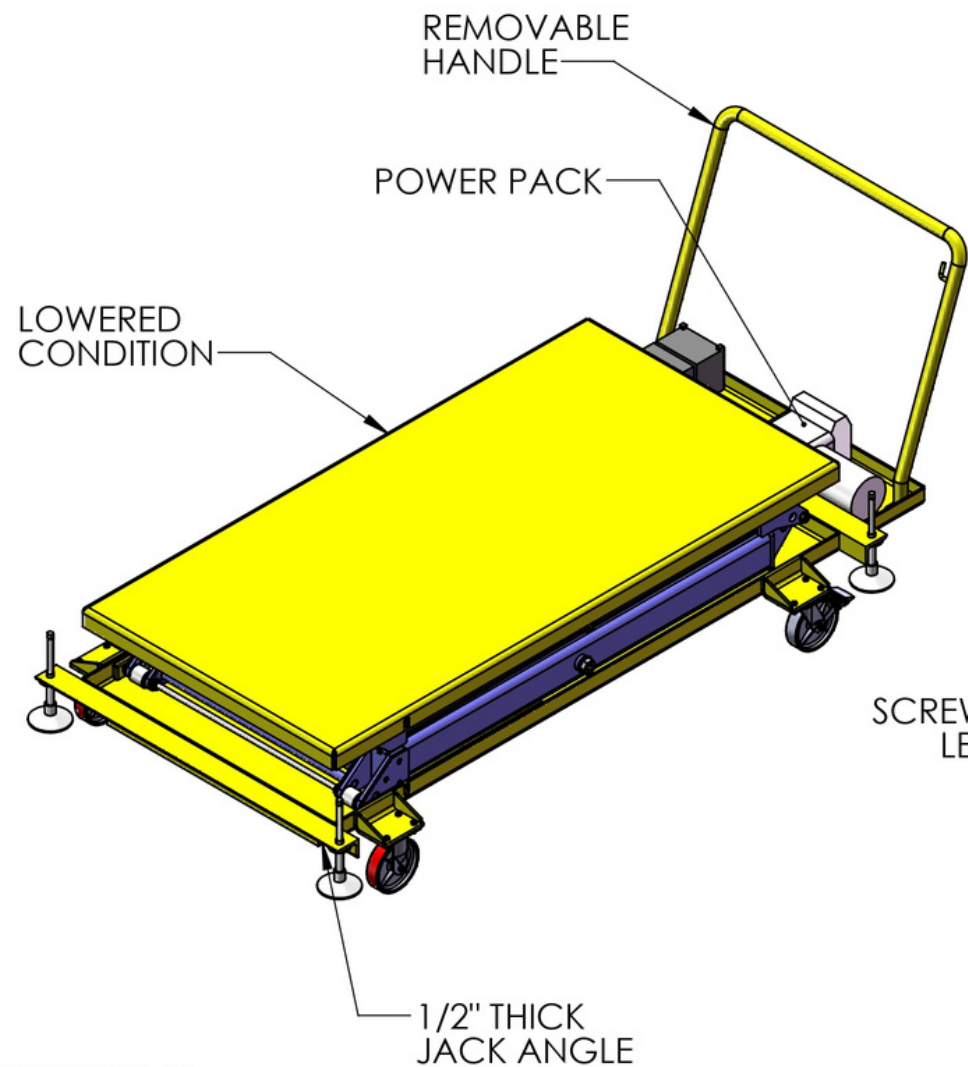
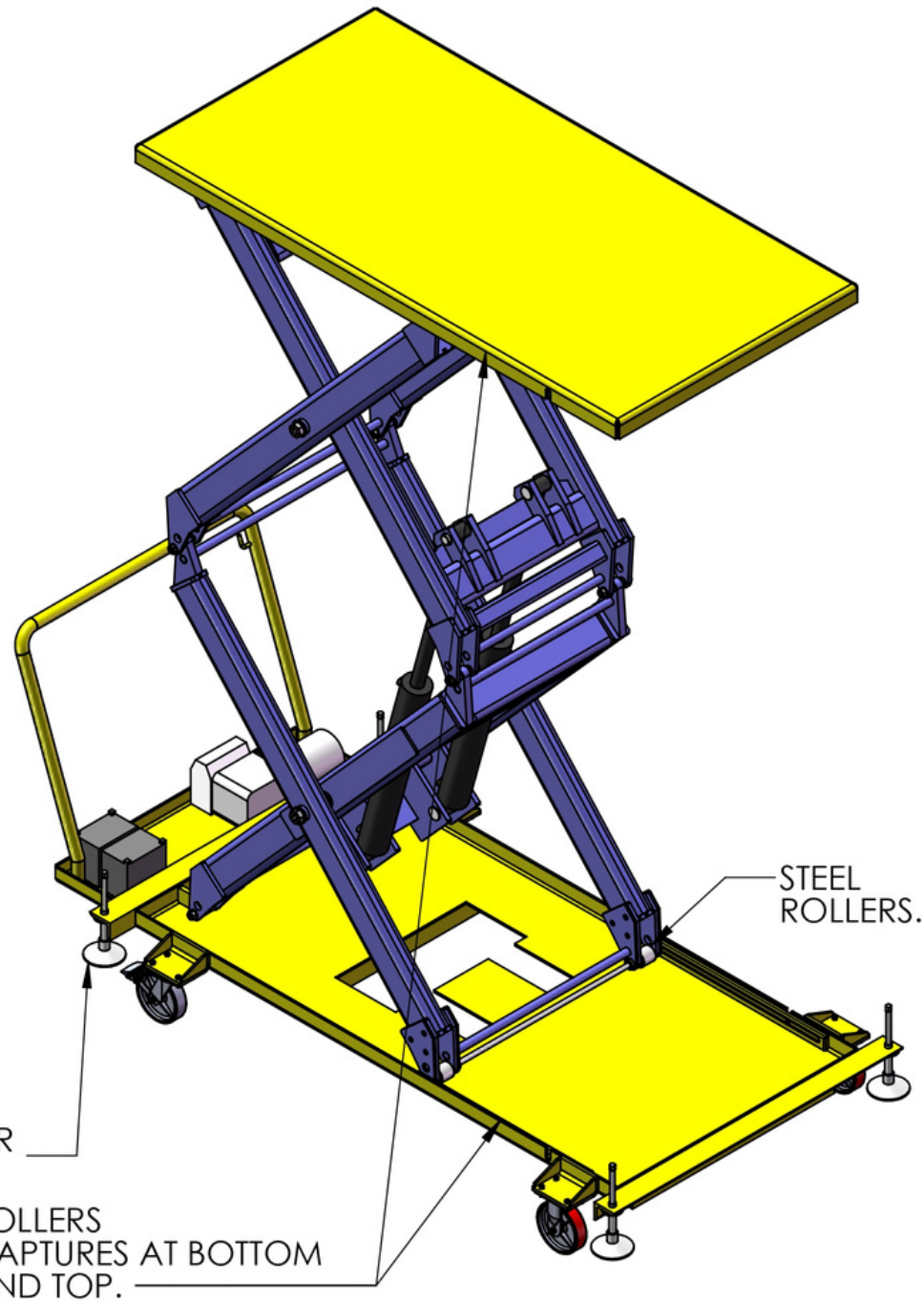


Capacity:	6000Lbs
Construction:	PAINTED STEEL
Lowered Height:	24"
Raised Height:	144"
Platform:	48" wide x 96" long
Base Frame:	48" wide x 96" long
Power Pack:	110 volt, With Hand Controls
Notes:	

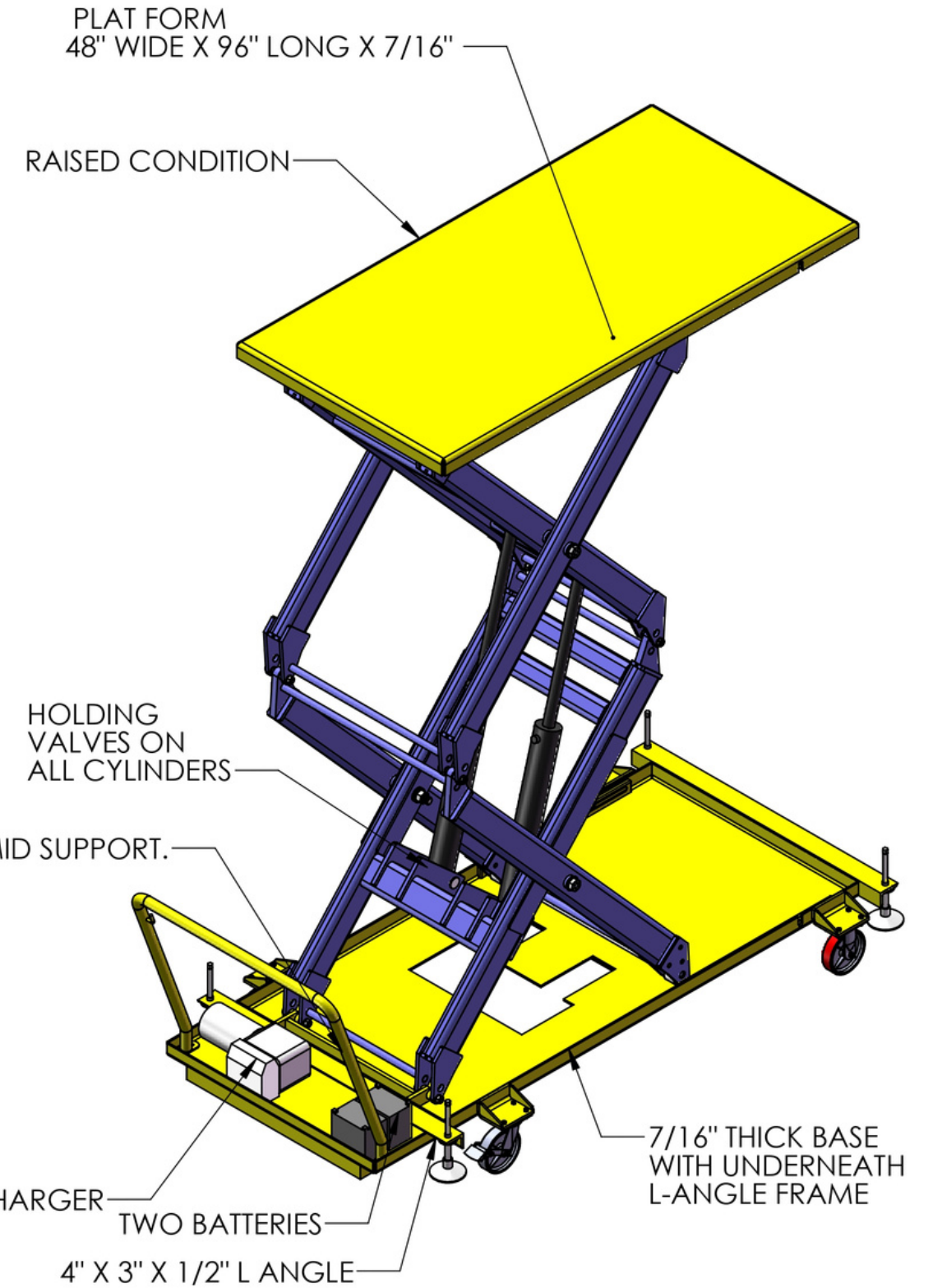
DATE	REV
02/02/2022	10



QUANTITY: 01  
 WEIGHT: 3929.904 lbs  
 HARDNESS:



MATERIAL: STEEL



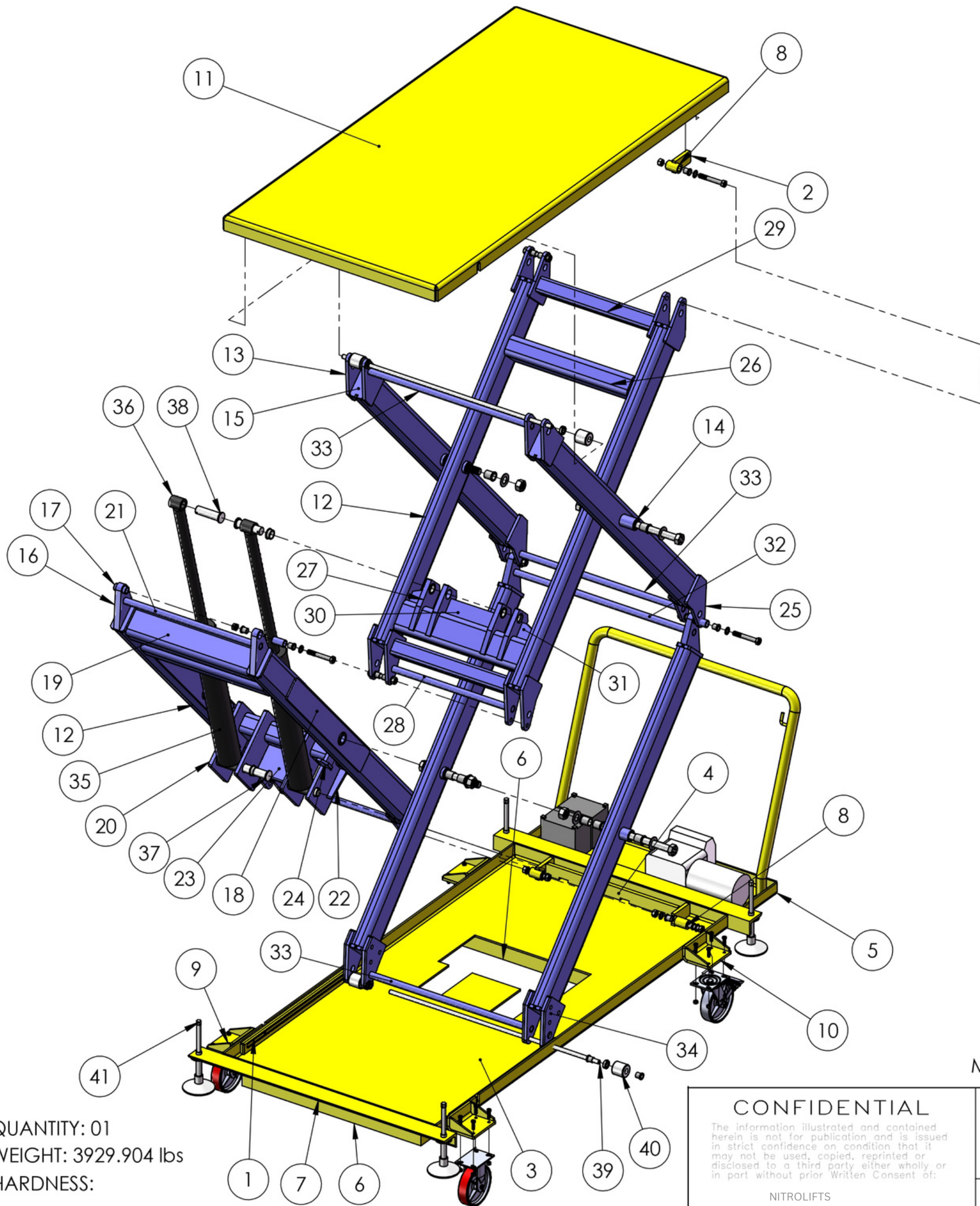
**CONFIDENTIAL**  
 The information illustrated and contained herein is not for publication and is issued in strict confidence on condition that it may not be used, copied, reprinted or disclosed to a third party either wholly or in part without prior Written Consent of:  
 NITROLIFTS



DO NOT SCALE DRAWING

TOLERANCES UNLESS OTHERWISE SPECIFIED	
2 Place Decimals	± 0.010
3 Place Decimals	± 0.005
4 Place Decimals	± 0.0005
Angles	± 0°30'
Fractional	± 1/16
Break All Sharp Edges 1/64" x 45°	

TITLE: DOUBLE SCISSOR LIFT			
DRAWN BY: PT	DATE: 02/02/2023	DRAWING No. 220528-00A001	
3RD ANGLE PROJ.	SCALE: 1:28	SHEET: 1 of 4	FINISH: PAINTED



ITEM NO.	PART NUMBER	DESCRIPTION	QTY.
1	220528-01D001	WHEEL CAPTURE	4
2	220528-01D002	SCISSOR HINGE PLATE	4
3	220528-01D004	BASE STAND	1
4	220528-01D006	CROSS STIFNER	1
5	220528-01D007	POWER PACK TRY	1
6	220528-01D008	BASE UNDERNEATH FRAME	1
7	220528-01D009	JACK ANGLE	2
8	220528-01D010	SCISSOR HINGE BUSHINGS	4
9	220528-01D003	GUSSET	8
10	220528-01D005	WHEEL MOUNTING PLATE	4
11	220528-02D001	PLATFORM SHEET	1
12	220528-03D001	ARM TUBE	8
13	220528-03D002	DOG EAR-1	16
14	220528-03D008	CENTER TUBING	8
15	220528-03D009	TUBING CAP	16
16	220528-03D010	DOG EAR-3	4
17	220528-03D004	DISTNCE BUSH	4
18	220528-03D011	LAPPING PLATE	4
19	220528-03D003	CROSTUBE	3
20	220528-03D007	CYLINDER HINGE PLATE	4
21	220528-03D005	INNER SCISSOR CROSS ROD	1
22	220528-03D012	GUSSET	2
23	220528-03D013	CROSS GUSSET	1
24	220528-03D006	GUSSET	2
25	220528-04D001	DOG EAR-2	8
26	220528-04D002	CROSS TUBE	2
27	220528-04D004	PUSH PLATE	4
28	220528-04D005	INNER SCISSOR CROSS ROD-1	1
29	220528-04D006	CROSS TUBE	2
30	220528-04D007	CROSS GUSSET	1
31	220528-04D003	GUSSET	2
32	220528-05D002	OUTER SCISSOR CROSS ROD-1	1
33	220528-05D001	OUTER SCISSOR CROSS ROD-2	3
34	220528-03D014	DOG EAR-1	4
35	HBU4028_01	CYLINDER	2
36	HBU4028_02	PISTON	2
37	220528-00D001	BOTTOM CYLINDER PIN	2
38	220528-00D002	TOP END CYLINDER PIN	2
39	220528-00D004	ROLLER SHAFT	2
40	220528-00D005	WHEEL	4
41	TO UNLESS OTHERWISE SPECIFIED	Stainless Steel Leveling Jack DOUBLE SCISSOR LIFT	4

MATERIAL: STEEL

QUANTITY: 01  
 WEIGHT: 3929.904 lbs  
 HARDNESS:

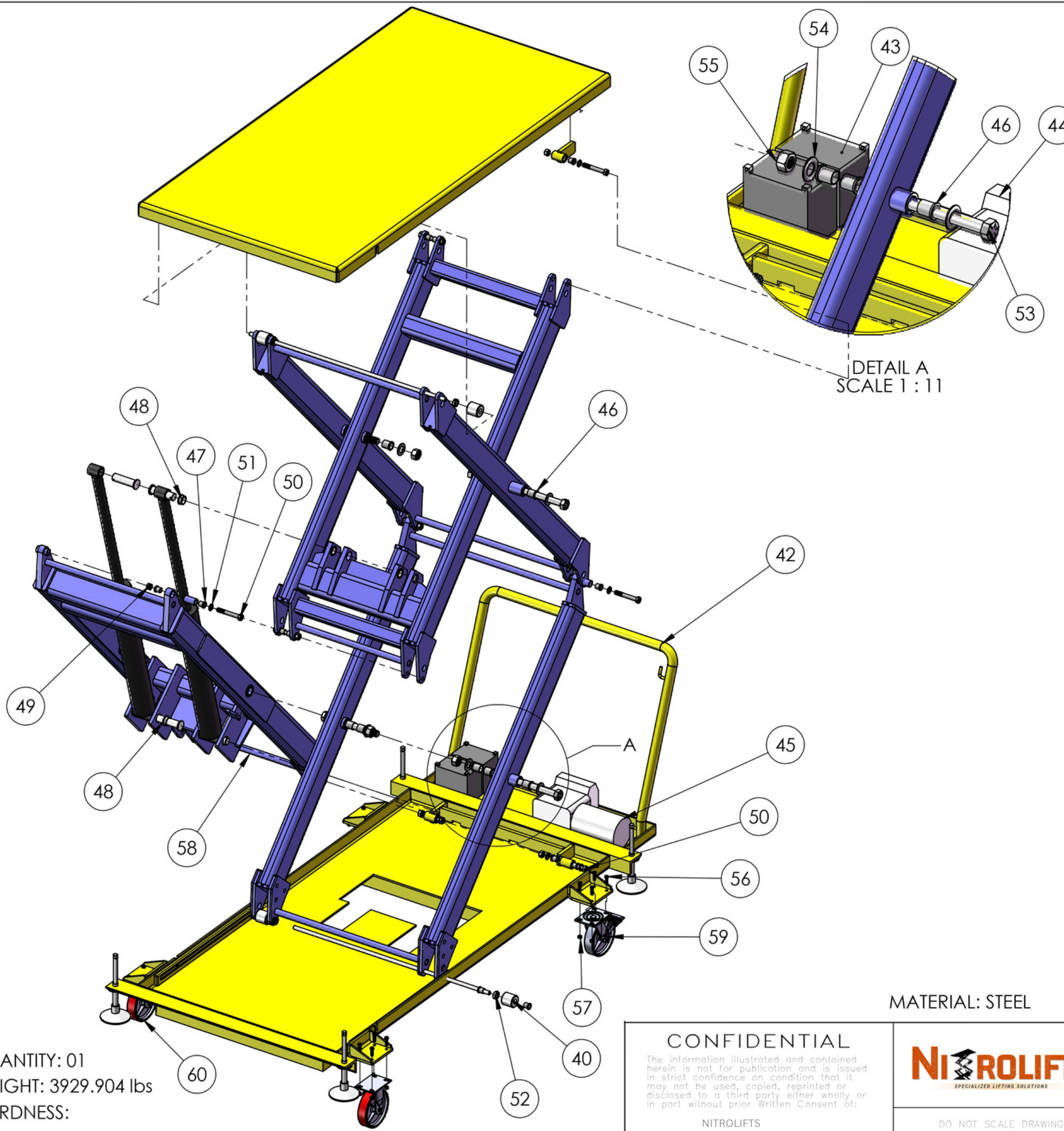
**CONFIDENTIAL**  
 The information illustrated and contained herein is not for publication and is issued in strict confidence on condition that it may not be used, copied, reprinted or disclosed to a third party either wholly or in part without prior Written Consent of:  
 NITROLIFTS



DO NOT SCALE DRAWING

2 Place Decimals	± 0.010
3 Place Decimals	± 0.005
4 Place Decimals	± 0.0005
Angles	± 0'30"
Fractional	± 1/16
Break All Sharp Edges 1/64" x 45°	

DRAWN BY:	DATE:	DRAWING No.
PT	02/02/2023	220528-00A001
3RD ANGLE PROJ.	SCALE:	SHEET:
	1:22	3 of 4
		FINISH:
		PAINTED



ITEM NO.	PART NUMBER	DESCRIPTION	QTY.
42	220528-00D003	REMOVABLE HANDLE	1
43	Battery Pack-G7200	G7200 Charger Battery	2
44	Charger		1
45	PowerPack	110V POWER PACK	1
46	1677K394	Sleeve Bearing For 1-1/4"	16
47	1677K373	Sleeve Bearing For 3/4"	22
48	6338K597	Oil-Embedded Flanged Sleeve Bearing	8
49	94895A036	3/4"-10 Steel Hex Nut	8
50	91257A856	3/4"-10 Hex Head Screw	8
51	94744A406	Washer for 3/4"	16
52	9961K22	ONE PIECE SHAFT COLLAR FOR 3/4" SHAFT	4
53	91268A230	1 1/4"-7 Hex Head Screw	4
54	98023A041	Zinc Yellow-Chromate Plated Grade 8 Steel Washer	8
55	94895A859	High-Strength Steel Hex Nut	4
56	92620A673	7/16"-14 Hex Head Screw	16
57	94895A817	High-Strength Steel Hex Nut	16
58	220528-03D015	INNER SCISSOR CROSS ROD-2	1
59	6.08299.941.7 BRK1	SWIVEL CASTER	2
60	6.08298.941.7	RIGID CASTER	2

QUANTITY: 01  
 WEIGHT: 3929.904 lbs  
 HARDNESS:

MATERIAL: STEEL

**CONFIDENTIAL**  
 The information illustrated and contained herein is not for publication and is issued in strict confidence on condition that it may not be used, copied, reprinted or disclosed to a third party either wholly or in part without prior Written Consent of:  
 NITROLIFTS

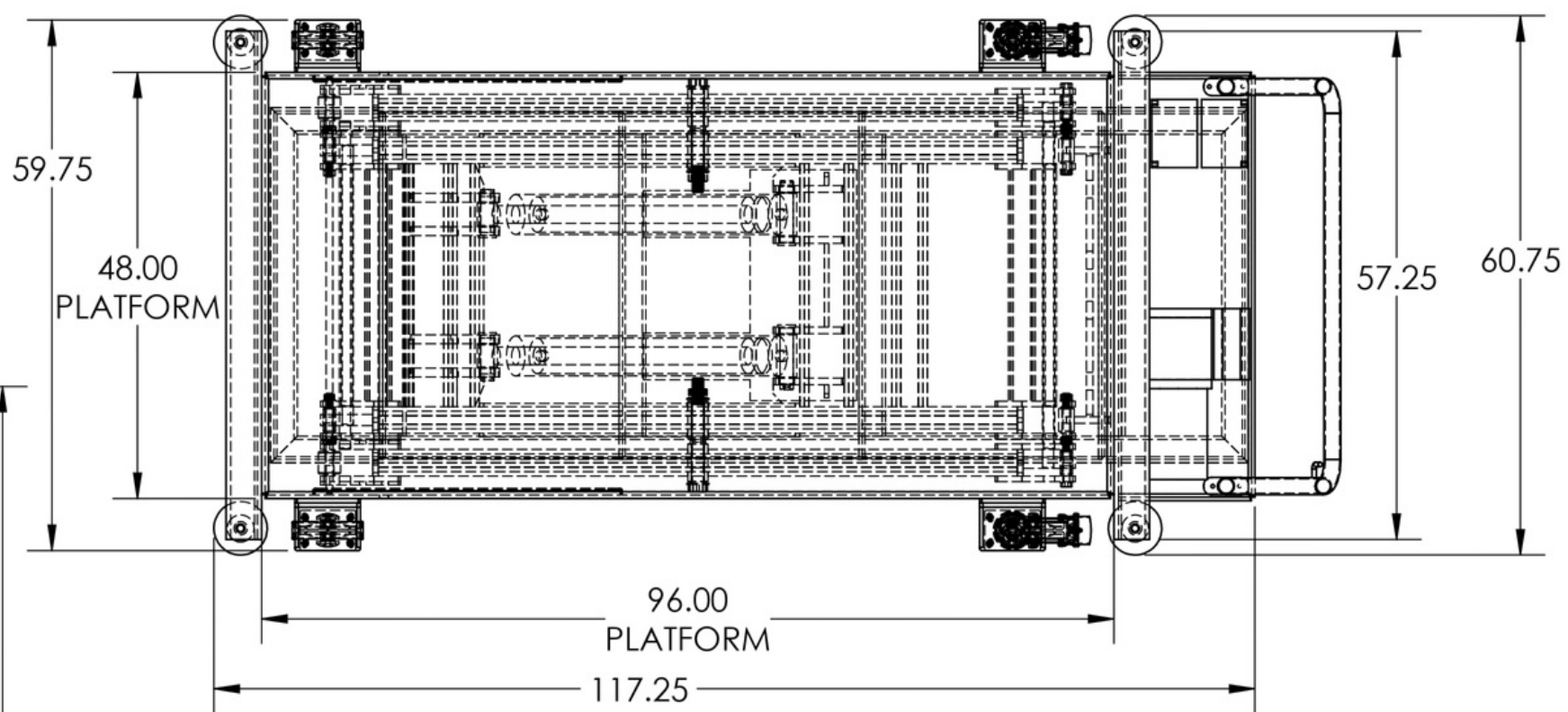
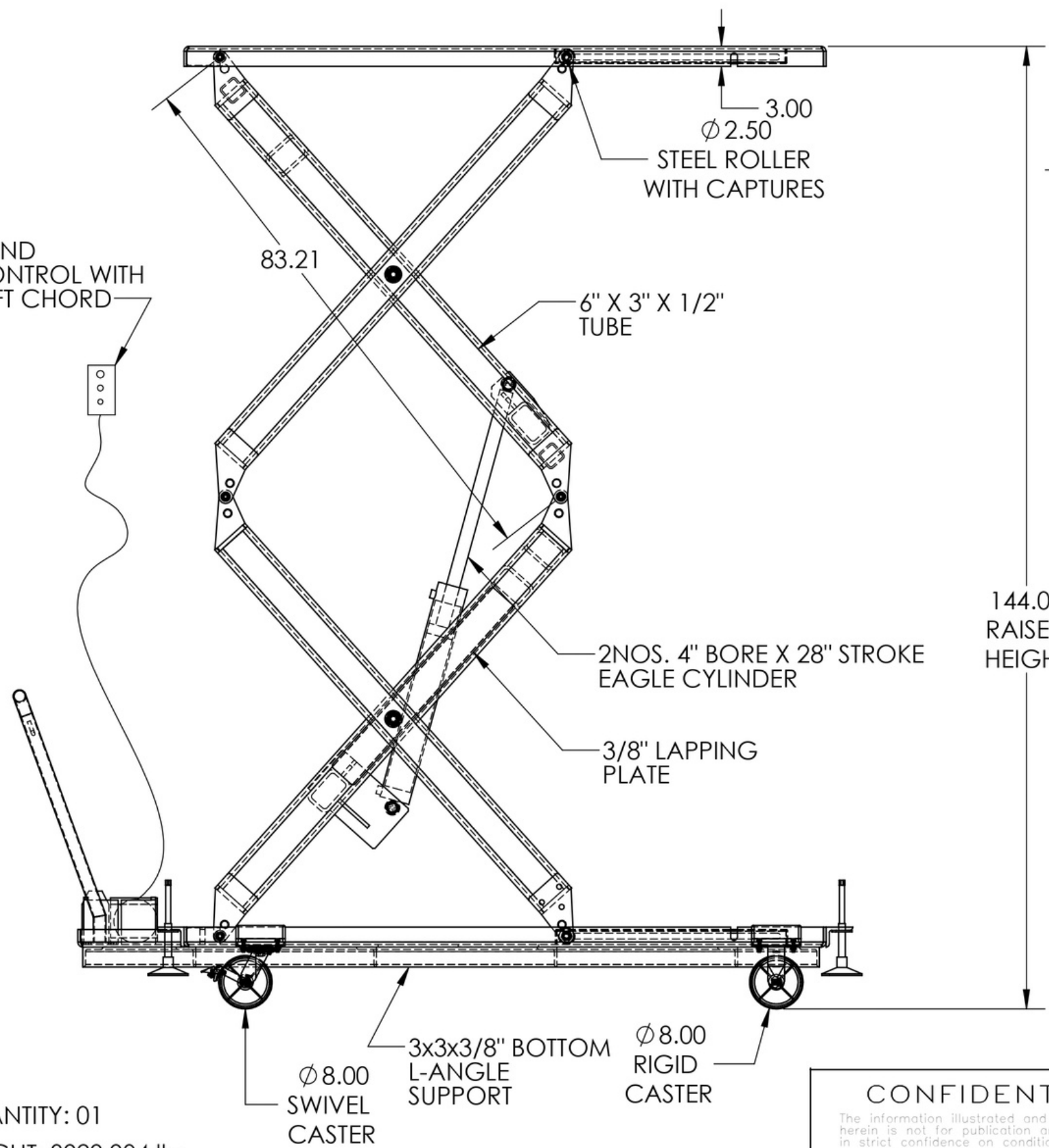


DO NOT SCALE DRAWING

TOLERANCES UNLESS OTHERWISE SPECIFIED	
2 Place Decimals	± 0.010
3 Place Decimals	± 0.005
4 Place Decimals	± 0.0005
Angles	± 0°30'
Fractional	± 1/16
Break All Sharp Edges 1/64" x 45°	

TITLE: DOUBLE SCISSOR LIFT			
DRAWN BY: PT	DATE: 02/02/2023	DRAWING No. 220528-00A001	
3RD ANGLE PROJ.	SCALE: 1:22	SHEET: 4 of 4	FINISH: PAINTED

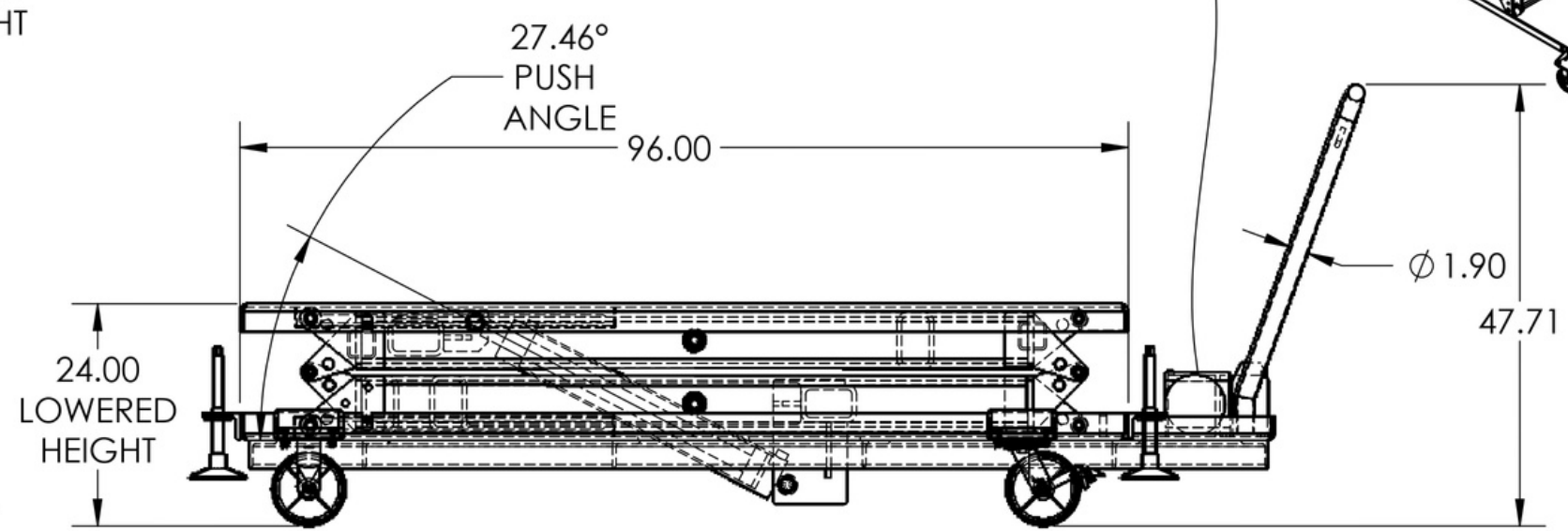
HAND CONTROL WITH 10FT CHORD



144.00  
RAISED  
HEIGHT

24.00  
LOWERED  
HEIGHT

HAND CONTROL WITH 10FT CHORD



MATERIAL: STEEL

QUANTITY: 01  
WEIGHT: 3929.904 lbs  
HARDNESS:

**CONFIDENTIAL**  
The information illustrated and contained herein is not for publication and is issued in strict confidence on condition that it may not be used, copied, reprinted or disclosed to a third party either wholly or in part without prior Written Consent of:  
NITROLIFTS



DO NOT SCALE DRAWING

TOLERANCES UNLESS OTHERWISE SPECIFIED	
2 Place Decimals	± 0.010
3 Place Decimals	± 0.005
4 Place Decimals	± 0.0005
Angles	± 0°30'
Fractional	± 1/16
Break All Sharp Edges 1/64" x 45°	

TITLE: DOUBLE SCISSOR LIFT			
DRAWN BY: PT	DATE: 02/02/2023	DRAWING No. 220528-00A001	
3RD ANGLE PROJ.	SCALE: 1:22	SHEET: 2 of 4	FINISH: PAINTED