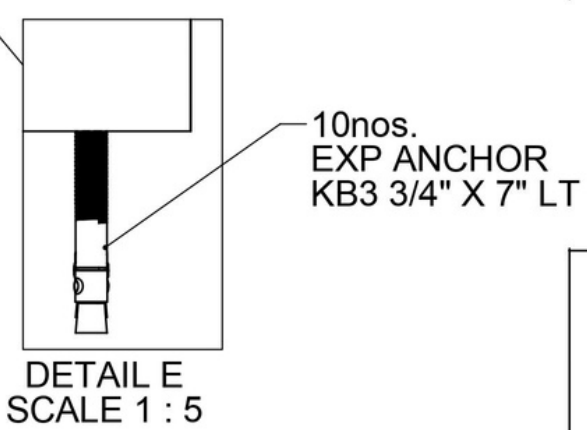
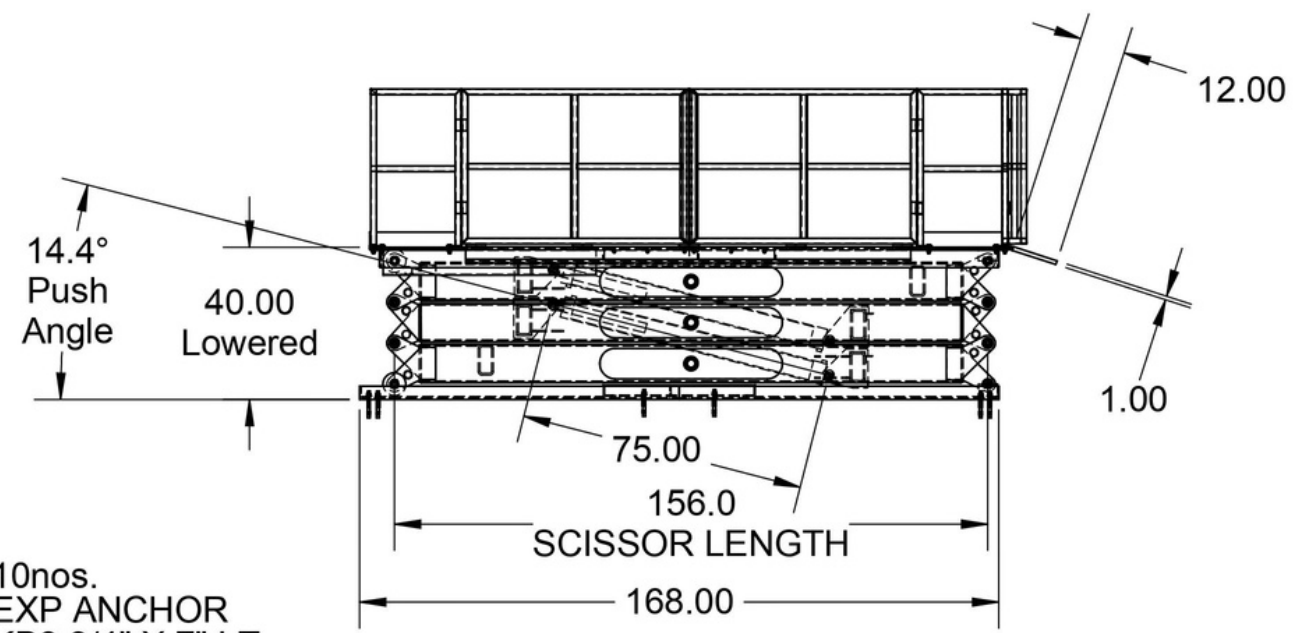
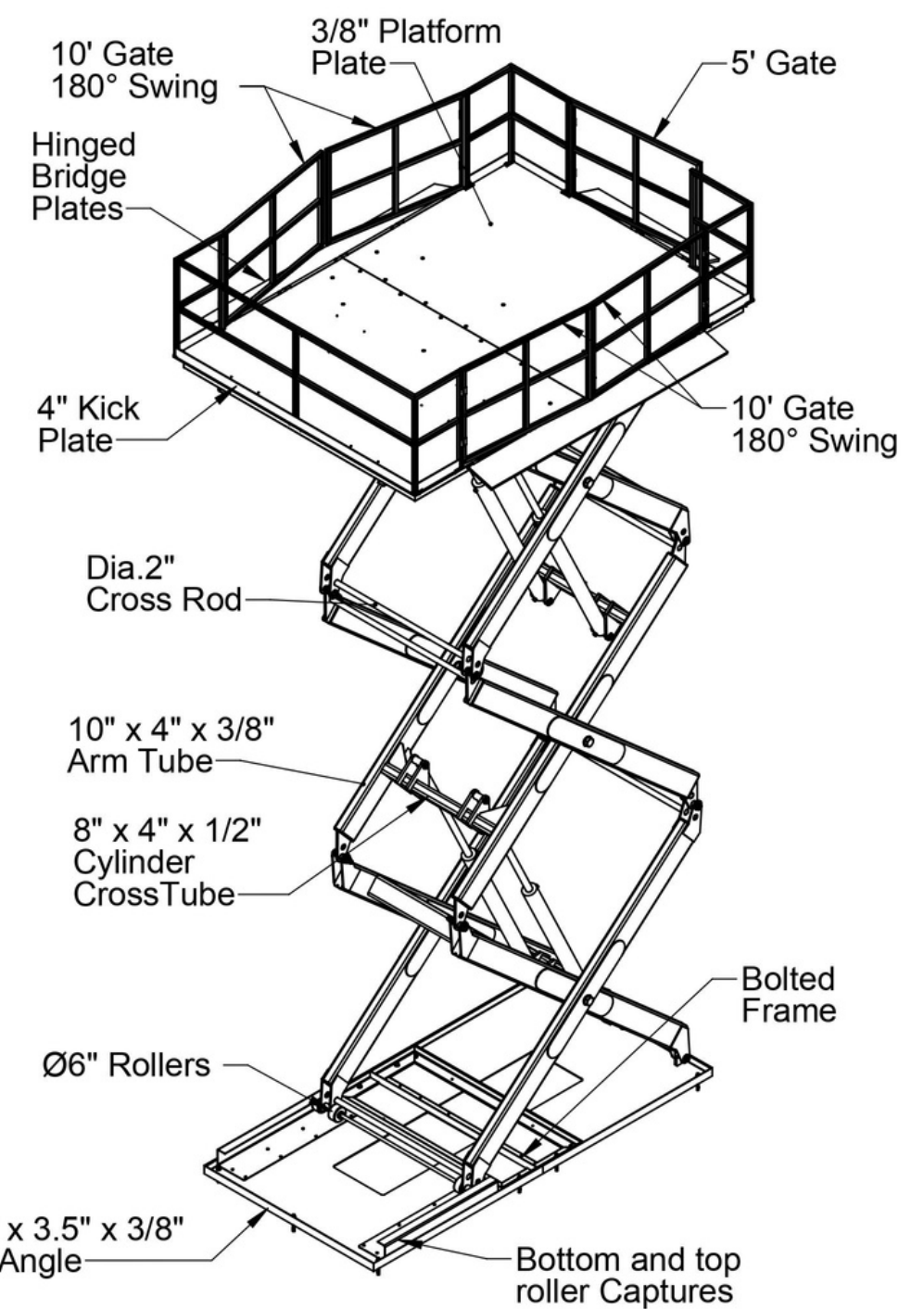
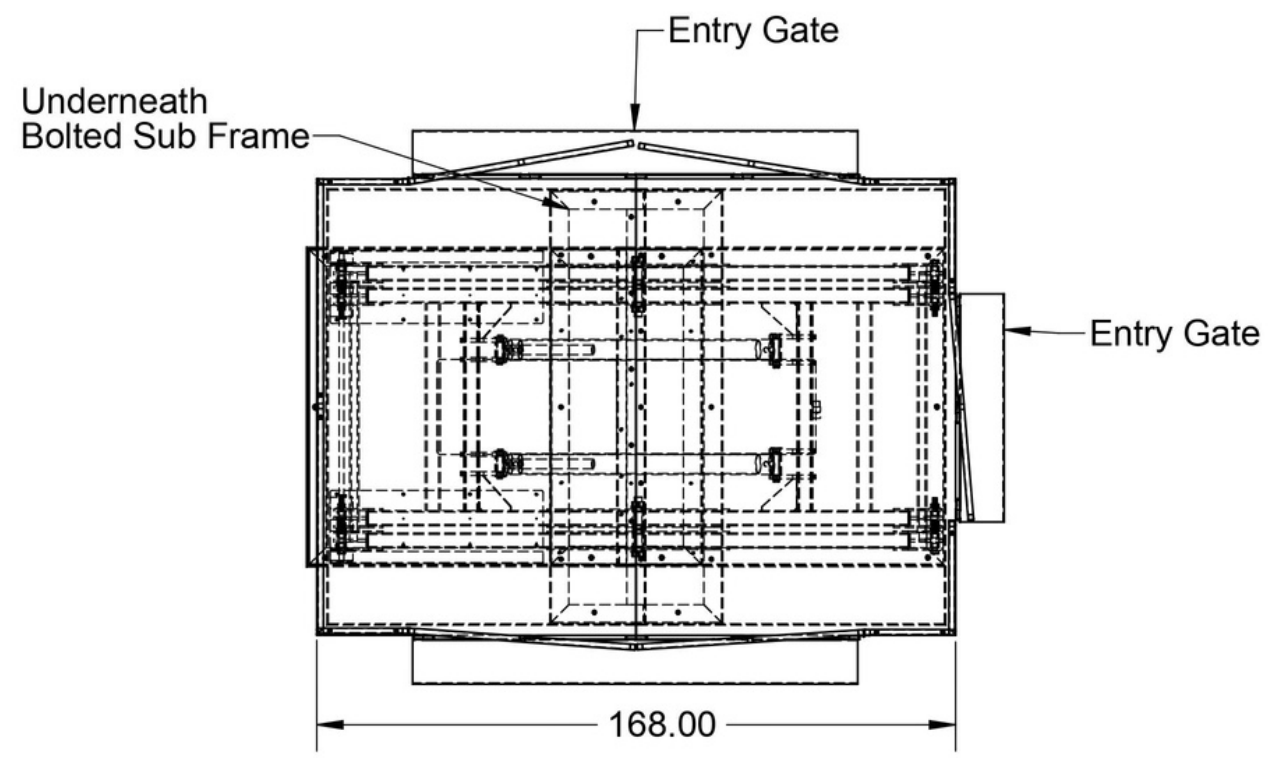
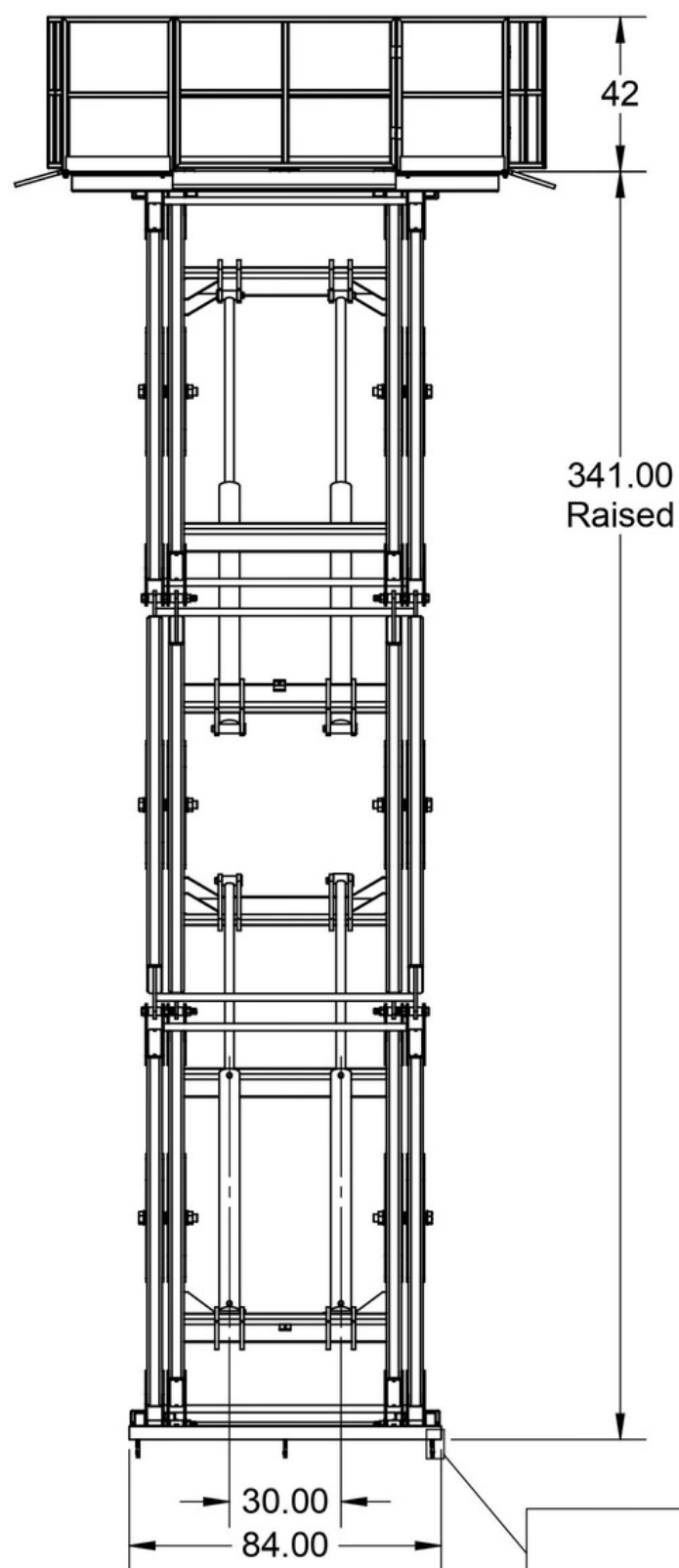


System Spec:	
General Table	
Capacity	7,500 lbs.
Construction	Mild Steel
Raised Height	240"
Lowered Height	40"
Platform	120" Width X 168" Long
Base Frame	84" Width X 168" long
Voltage	480 V Three phase and 4 amp.
Coating	Painted
Note	



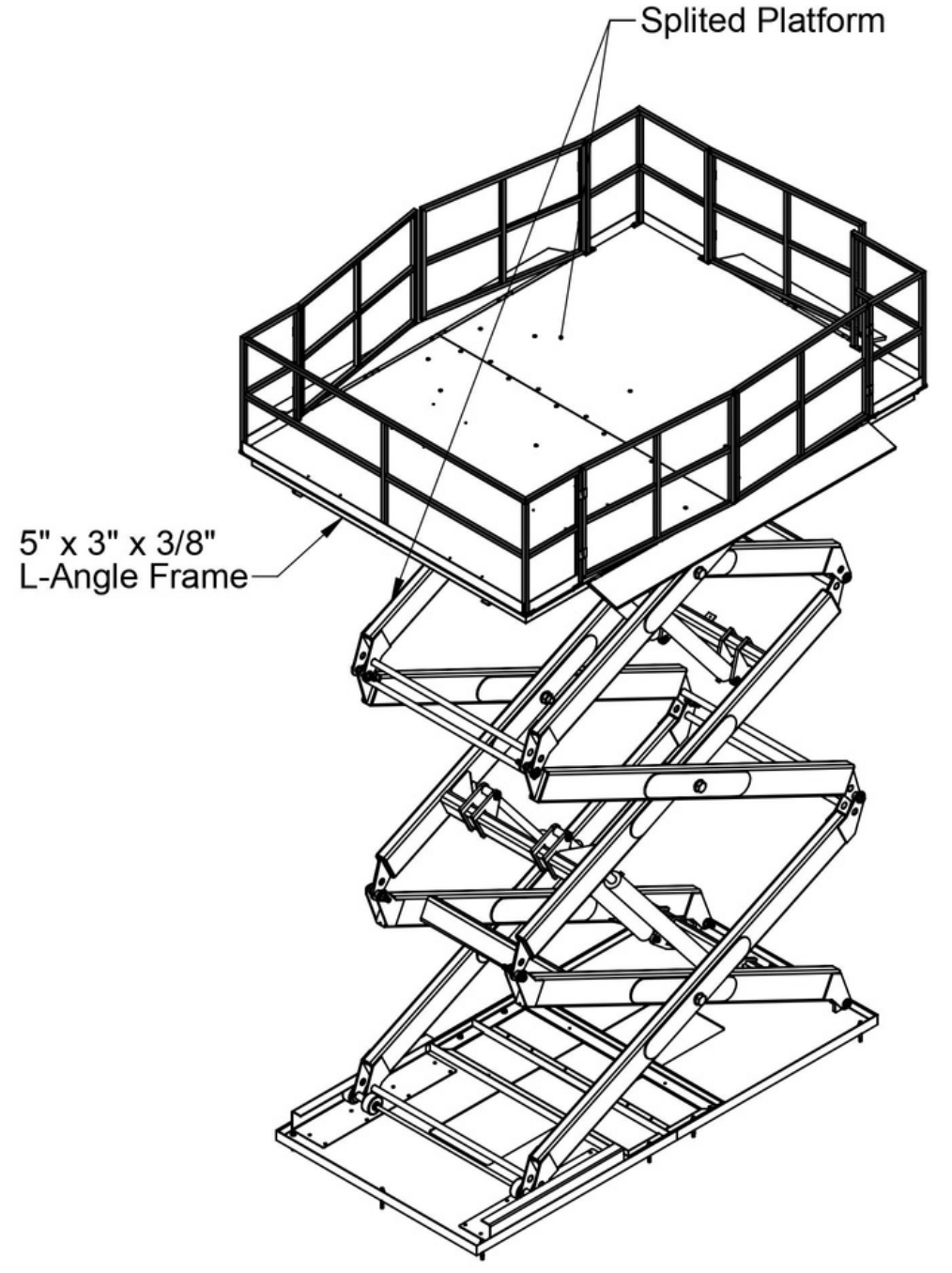
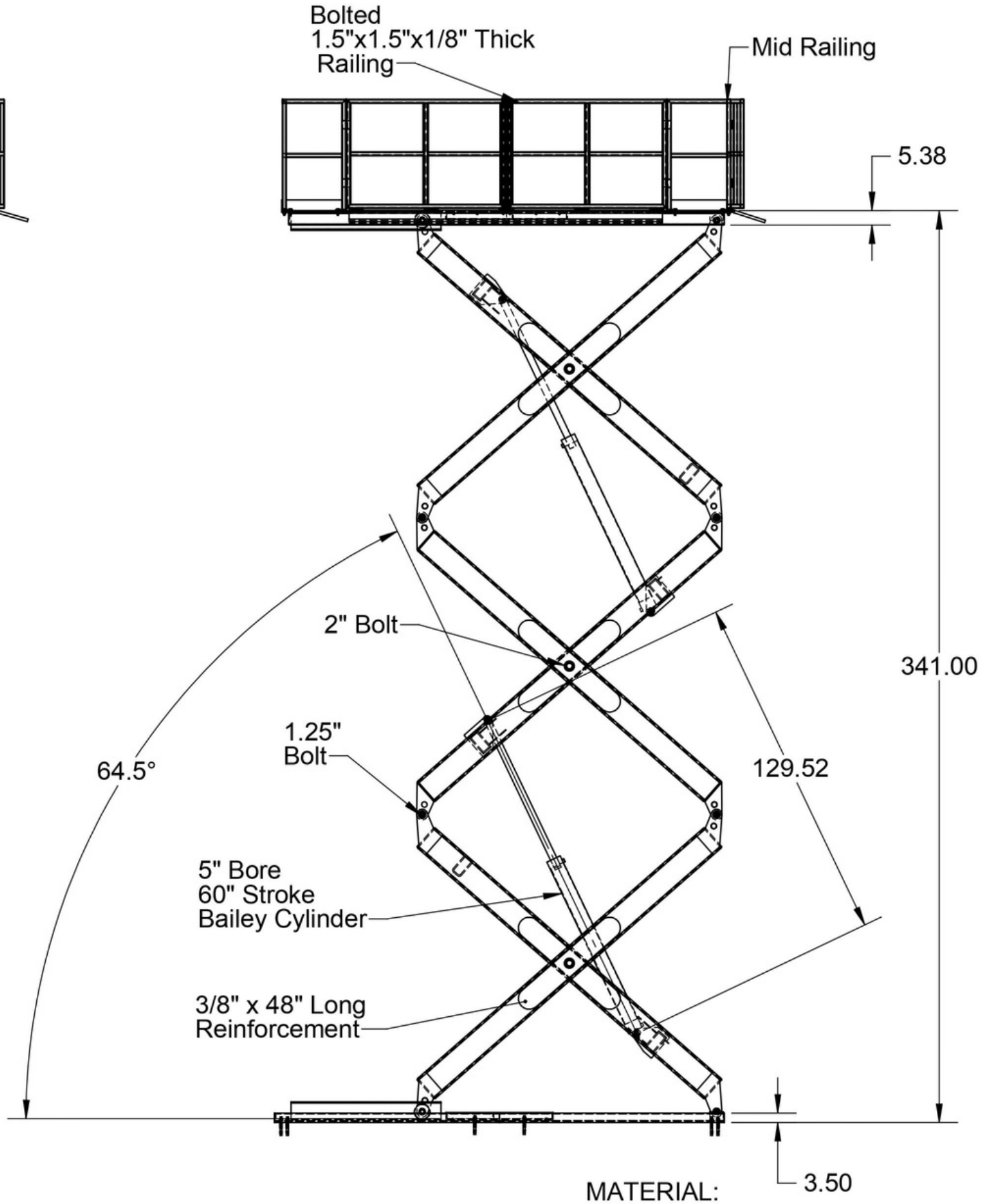
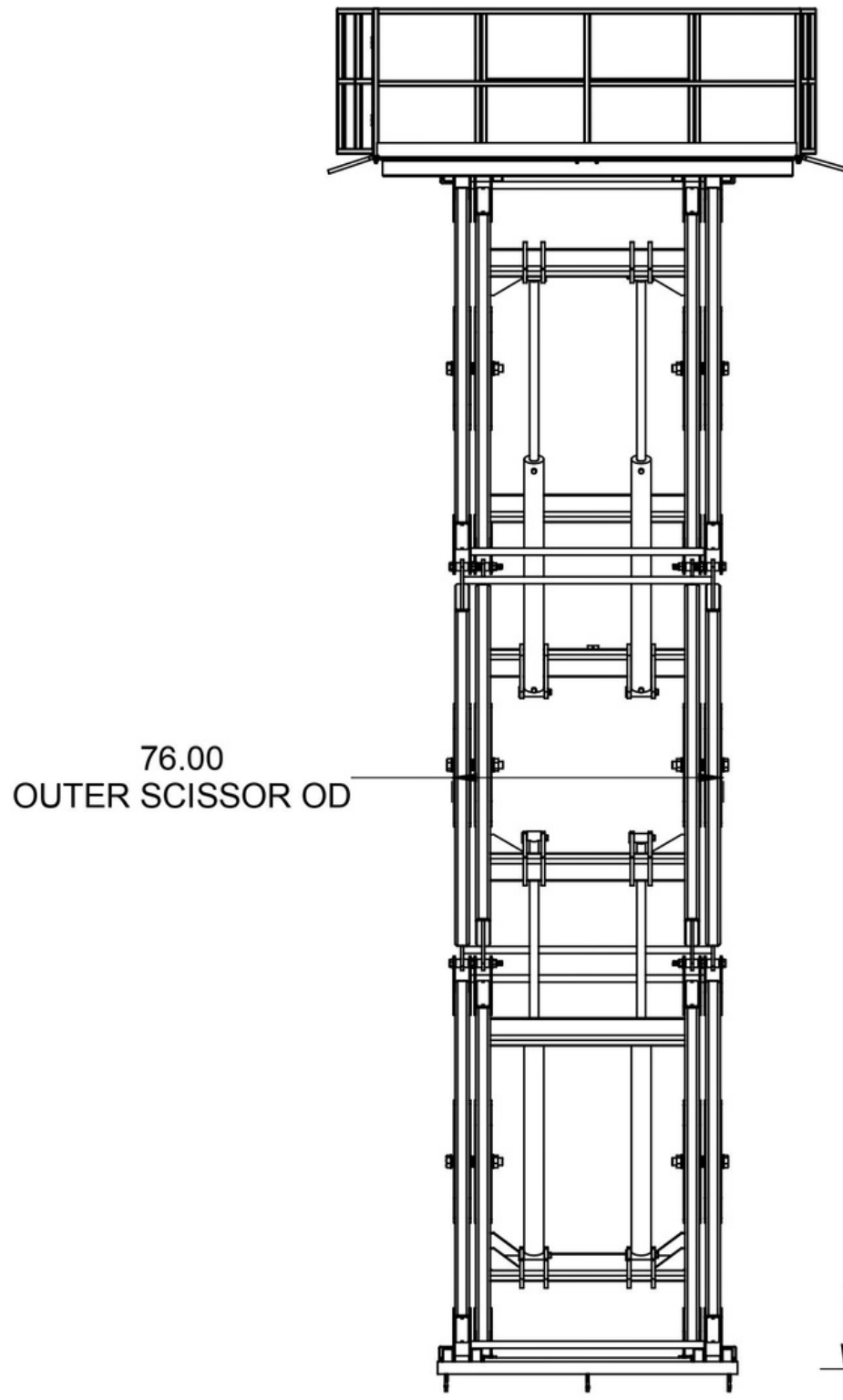
QUANTITY: 01  
 WEIGHT: 9599.008 lbs  
 HARDNESS:

**CONFIDENTIAL**  
 The information illustrated and contained herein is not for publication and is issued in strict confidence on condition that it may not be used, copied, reprinted or disclosed to a third party either wholly or in part without prior Written Consent of:  
**NITROLIFTS**

**NITROLIFTS**  
 SPECIALIZED LIFTING SOLUTIONS  
 DO NOT SCALE DRAWING

TOLERANCES UNLESS OTHERWISE SPECIFIED	
2 Place Decimals	± 0.010
3 Place Decimals	± 0.005
4 Place Decimals	± 0.0005
Angles	± 0°30'
Fractional	± 1/16
Break All Sharp Edges 1/64" x 45°	

TITLE: LARGE HEAVY DUTY LIFT TABLE		
DRAWN BY: AF	DATE: 06/14/2018	DRAWING No. 180305-00A001
3RD ANGLE PROJ.	SCALE: 1:55	SHEET: 1 of 2
		FINISH: PAINTED



QUANTITY: 01  
WEIGHT: 9599.008 lbs  
HARDNESS:

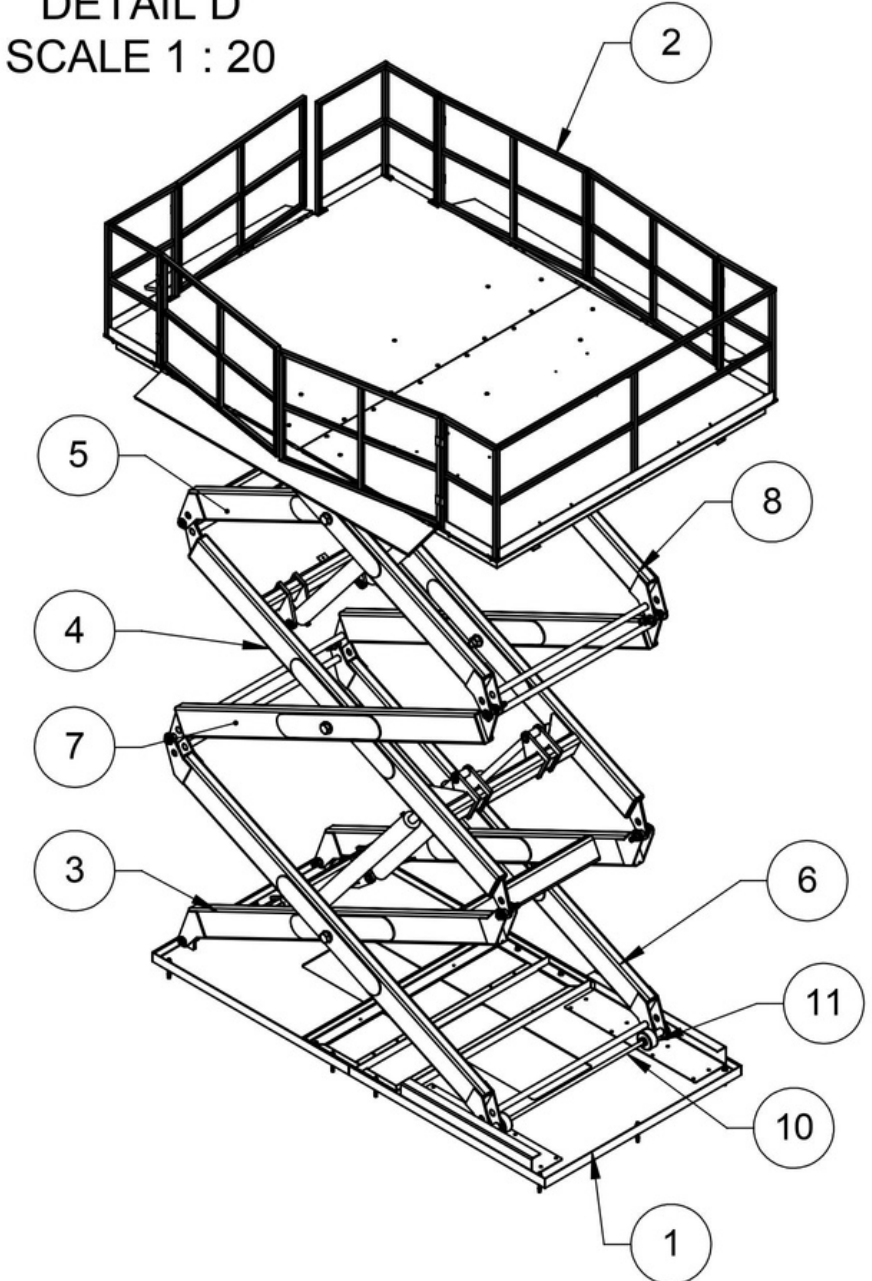
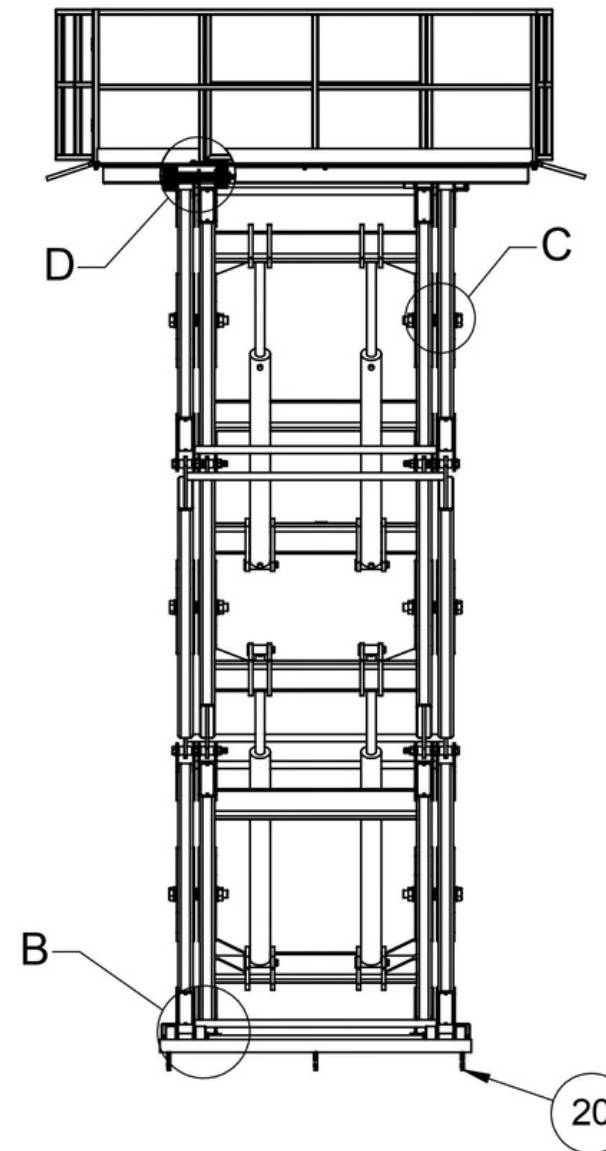
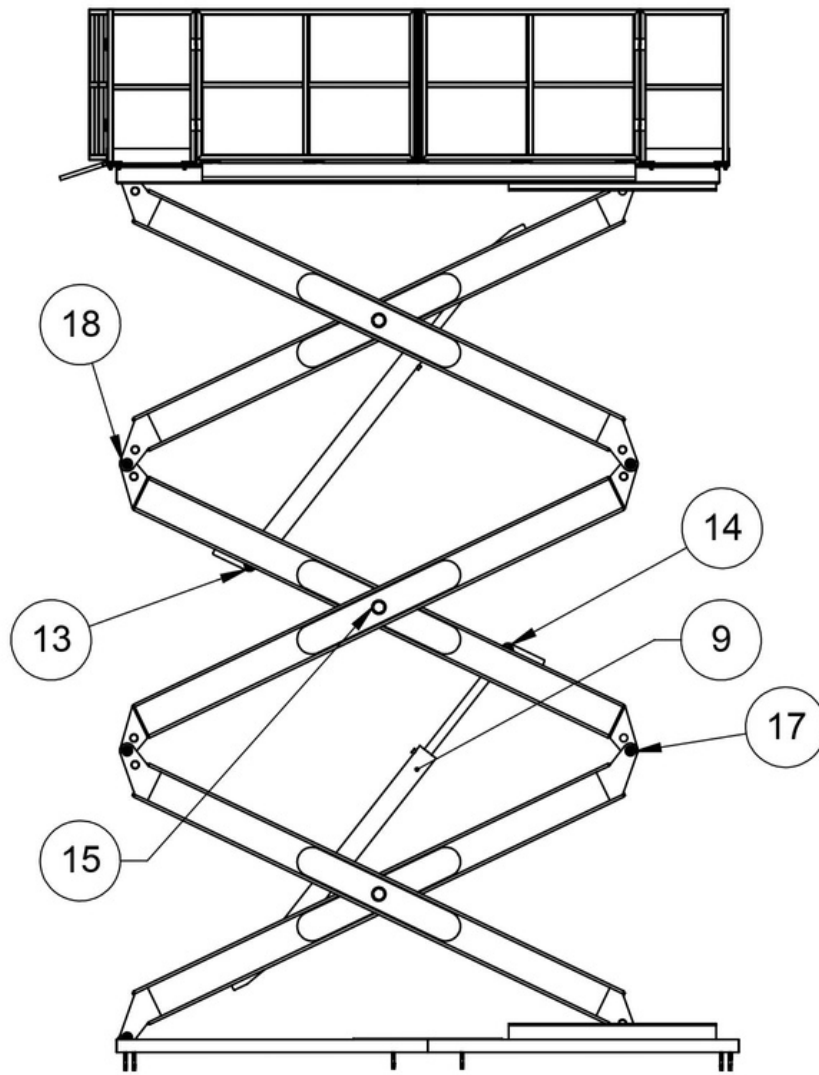
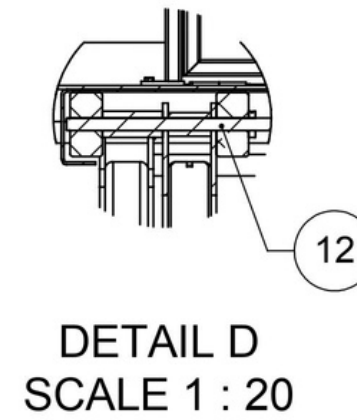
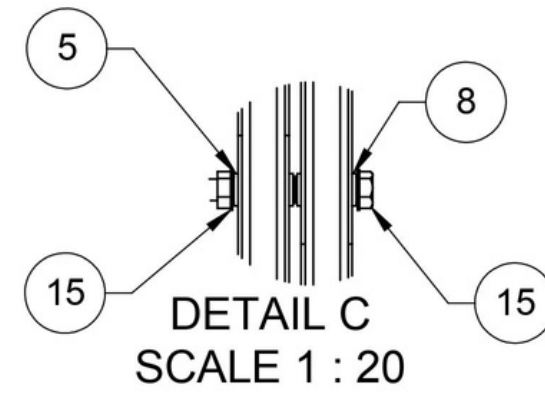
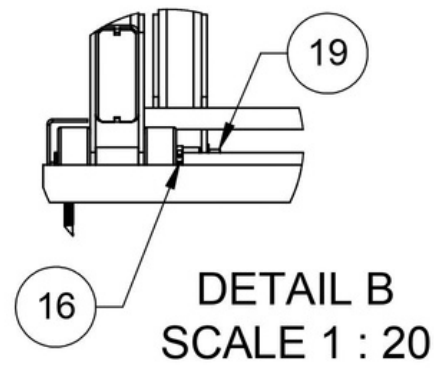
**CONFIDENTIAL**  
The information illustrated and contained herein is not for publication and is issued in strict confidence on condition that it may not be used, copied, reprinted or disclosed to a third party either wholly or in part without prior Written Consent of:  
**NITROLIFTS**



TOLERANCES UNLESS OTHERWISE SPECIFIED	
2 Place Decimals	± 0.010
3 Place Decimals	± 0.005
4 Place Decimals	± 0.0005
Angles	± 0°30'
Fractional	± 1/16
Break All Sharp Edges 1/64" x 45°	

TITLE: <b>LARGE HEAVY DUTY LIFT TABLE</b>		
DRAWN BY: <b>AF</b>	DATE: <b>06/14/2018</b>	DRAWING No. <b>180305-00A001</b>
3RD ANGLE PROJ. 	SCALE: <b>1:55</b>	SHEET: <b>2 of 3</b>
		FINISH: <b>PAINTED</b>

ITEM NO.	PART NUMBER	DESCRIPTION	QTY.
1	180305-01A001	BASE WELDMENT	1
2	180305-02A001	TOP PLATFORM ASSEMBLY	1
3	180305-03A001	INNER SCISSOR WELDMENT-01	1
4	180305-04A001	INNER SCISSOR WELDMENT-02	1
5	180305-05A001	INNER SCISSOR WELDMENT-03	1
6	180305-06A001	OUTER SCISSOR-01	1
7	180305-07A001	2ND OUTER ARM	1
8	180305-08A001	3RD OUTER ARM	1
9	216559	CYLINDER 5" BORE, 60" STROKE	4
10	180305-00D002	LOWER ROLLER SHAFT	1
11	180305-00D001	ROLLER	8
12	180305-00D004	TOP ROLLER SHAFT	1
13	180305-00D005	BOTTOM CYLINDER END PIN	4
14	180305-00D006	CYLINDER BOTTOM END PIN	4
15	180305-00D003	2" x 14.5" Long Bolt, Grade 8	6
16	9951K13	Extra-Grip	4
17	91268A227	1 1/4"-7 Cap Screw-Grade 8	12
18	96765A214	1 1/4" Washer	24
19	90499A859	1 1/4"-7 HEX NUT	12
20	EXP ANCHOR KB3 3/4" X 7" LT	Anchor	10

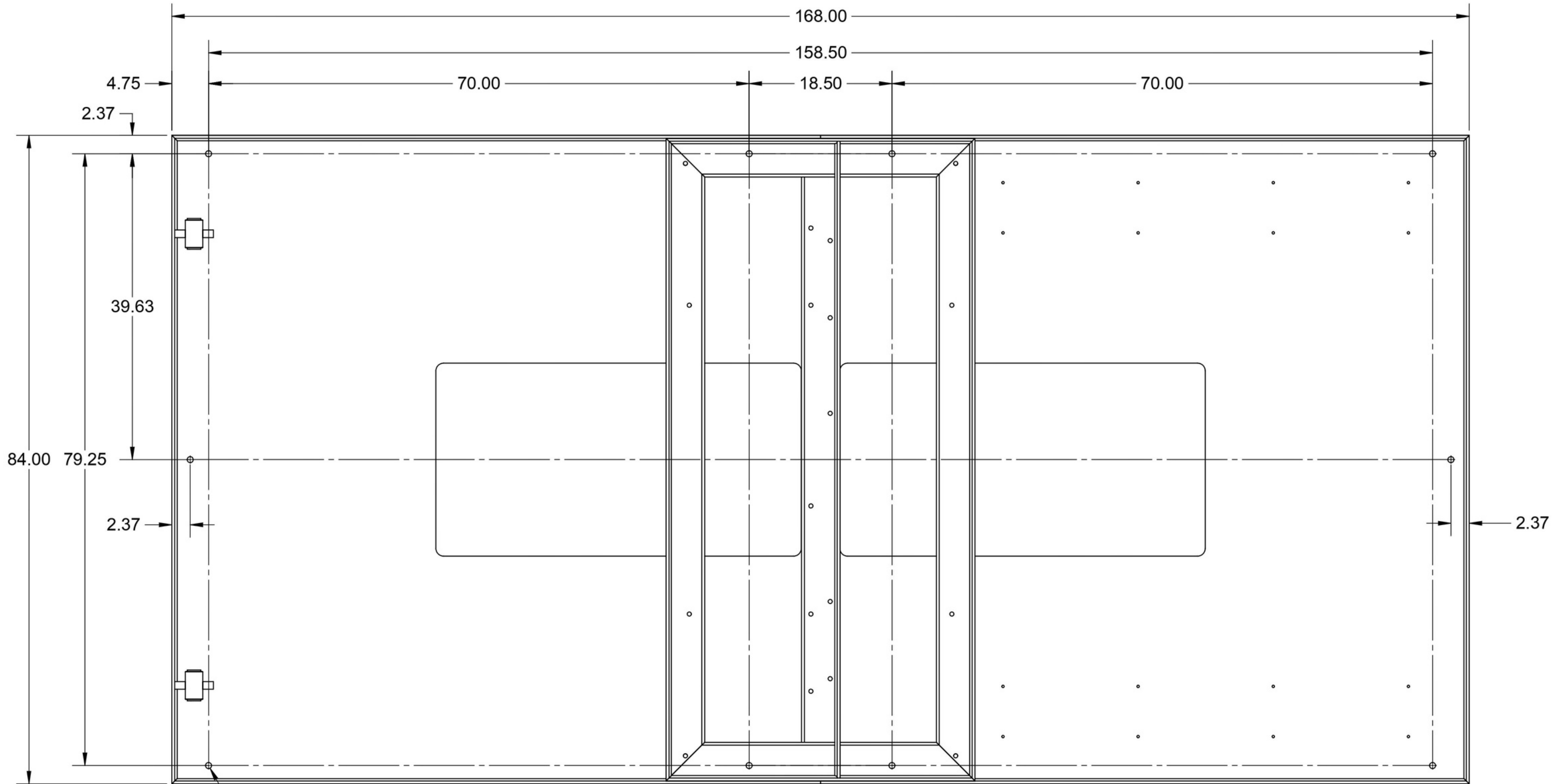


MATERIAL:

QUANTITY: 01  
 WEIGHT: 9599.008 lbs  
 HARDNESS:

<p><b>CONFIDENTIAL</b></p> <p>The information illustrated and contained herein is not for publication and is issued in strict confidence on condition that it may not be used, copied, reprinted or disclosed to a third party either wholly or in part without prior Written Consent of:</p> <p>NITROLIFTS</p>		<p>TOLERANCES UNLESS OTHERWISE SPECIFIED</p>		<p>TITLE: LARGE HEAVY DUTY LIFT TABLE</p>		
		<p>2 Place Decimals ± 0.010</p> <p>3 Place Decimals ± 0.005</p> <p>4 Place Decimals ± 0.0005</p> <p>Angles ± 0°30'</p> <p>Fractional ± 1/16</p> <p>Break All Sharp Edges 1/64" x 45°</p>	<p>DRAWN BY: AF</p>	<p>DATE: 06/14/2018</p>	<p>DRAWING No. 180305-00A001</p>	
<p>DO NOT SCALE DRAWING</p>		<p>3RD ANGLE PROJ.</p>	<p>SCALE: 1:58</p>	<p>SHEET: 3 of 3</p>	<p>FINISH: PAINTED</p>	

# ANCHOR BOLT INSTALLATION DRAWING



10X  $\phi$  .78 THRU ANCHORING HOLES

## BASE ANCHOR BOLT HOLE LOCATIONS SHOWN

MATERIAL: STEEL

QUANTITY: 01  
WEIGHT: 1718.989 lbs  
HARDNESS:

### CONFIDENTIAL

The information illustrated and contained herein is not for publication and is issued in strict confidence on condition that it may not be used, copied, reprinted or disclosed to a third party either wholly or in part without prior Written Consent of:

NITROLIFTS



DO NOT SCALE DRAWING

TOLERANCES UNLESS OTHERWISE SPECIFIED	
2 Place Decimals	$\pm$ 0.010
3 Place Decimals	$\pm$ 0.005
4 Place Decimals	$\pm$ 0.0005
Angles	$\pm$ 0°30'
Fractional	$\pm$ 1/16
Break All Sharp Edges 1/64" x 45°	

TITLE: BASE WELDMENT			
DRAWN BY: AF	DATE: 06/14/2018	DRAWING No. 180305-01A001	
3RD ANGLE PROJ.	SCALE: 1:13	SHEET: 2 of 2	FINISH: PAINTED